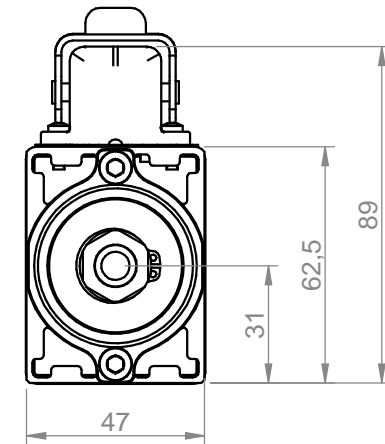


Connettore elettrico Harting custodia fissa angolo 90° all. - 09200030801

Connettore elettrico Harting frutto M 3P+T coll.a vite - 09200032611



Power [kW] 0.27	Duty Cycle S1	Base speed [rpm] 18000	Base freq. [Hz] 300	Base voltage Δ [V] 220	Base voltage Y [V]	Protection IP54	Ins. Cl. F	TEKNOMOTOR
Min speed [rpm] 9000		Max speed [rpm] 24000	Max freq. [Hz] 400	Absorb. Δ [A] 1.4	Absorb. Y [A]	Part number on nameplate COM24310048		
Balancing according to ISO 1940 - G2.5 @ 24000 rpm		Balancing type		tool type full key	tool type half key	Peso / weight 1.82 kg		Title 2431-B-SB-P-ER11-RH
Tolleranze non quotate / unlisted tollerances: ±0.5mm Smussi non quotati / unlisted chamfers: ±0.5mm				$\nabla = 0.8 \nabla$	$\nabla = 3.2 \nabla$	$\nabla = 12.5 \nabla$	$\sim = \nabla$	
rev. n° 00	description Emissione			date 12/01/2017	signature D. Bottarel	Customer Catalogo		
drawing code COM24310048						Drawing n° 5040		A4
drawn - date E. Gaspari - 12/01/2017	approved - date S. Perli - 12/01/2017	checked - date S. Perli - 12/01/2017	sostituisce il sostituito dal		foglio / sheet 1 / 1	scala 1:2		