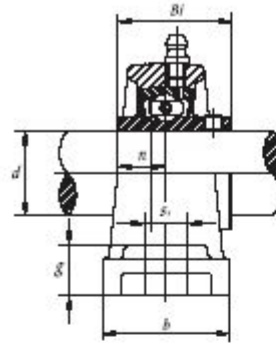
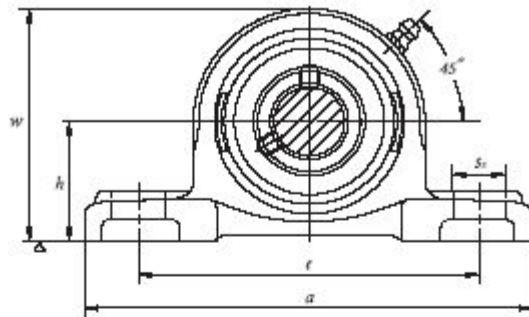


UCP 200 (normal-duty)



SR type seal



TRL type seal

Bearing unit No.	Shaft Dia.		Dimensions (in.) or (mm)										Bolt used		Bearing No.	Housing No.	Weight (kg)
	(in.)	(mm)	<i>h</i>	<i>a</i>	<i>e</i>	<i>b</i>	<i>s</i> ₂	<i>s</i> ₁	<i>g</i>	<i>w</i>	<i>Bi</i>	<i>n</i>	(mm)	(in.)			
UCP 201-8	1/2	12	1 1/16	5	3 25/32	1 1/2	3/4	1/2	1 9/32	2 7/16	1.2205	0.5000	M10	3/8	UC 201-8	P 201	0.63
UCP 202-10	5/8	16	1 1/4	5	3 25/32	1 1/2	3/4	1/2	1 9/32	2 7/16	1.2205	0.5000	M10	3/8	UC 202-10	P 202	0.63
UCP 203-11	11/16	17	1 3/8	5	3 25/32	1 1/2	3/4	1/2	1 9/32	2 7/16	1.2205	0.5000	M10	3/8	UC 203-11	P 203	0.63
UCP 204-12	3/4	20	1 5/8	5	3 25/32	1 1/2	3/4	1/2	1 9/32	2 7/16	1.2205	0.5000	M10	3/8	UC 204-12	P 204	0.65
UCP 205-14	7/8	25	1 1/2	5 1/2	4 3/8	1 1/2	3/4	1/2	1 5/8	2 3/4	1.3386	0.5630	M10	3/8	UC 205-14	P 205	0.79
UCP 206-18	1 1/8	30	1 1/2	6 1/2	4 3/4	1 1/2	3/4	1/2	1 5/8	2 3/4	1.5000	0.6260	M14	1/2	UC 206-18	P 206	0.79
UCP 207-20	1 1/4	35	1 5/8	6 3/4	4 3/4	1 1/2	3/4	1/2	1 5/8	2 3/4	1.6890	0.6890	M14	1/2	UC 207-20	P 207	1.60
UCP 208-24	1 1/2	40	1 13/16	7 1/4	5 23/64	2 1/8	13/16	21/32	3/4	3 25/32	1.9370	0.7480	M14	1/2	UC 208-24	P 208	2.00
UCP 209-26	1 5/8	45	2 1/8	7 15/32	5 3/4	2 1/8	13/16	21/32	25/32	4 3/16	1.9370	0.7480	M14	1/2	UC 209-26	P 209	2.20
UCP 210-30	1 3/4	50	2 1/4	8 1/8	6 1/4	2 3/8	1	25/32	7/8	4 15/32	2.0315	0.7480	M16	5/8	UC 210-30	P 210	2.80
UCP 211-32	2	55	2 1/2	8 5/8	6 47/64	2 3/8	1	25/32	7/8	4 31/32	2.1890	0.8740	M16	5/8	UC 211-32	P 211	3.40
UCP 212-36	2 1/4	60	2 3/4	9 1/2	7 1/4	2 3/4	1	25/32	1	5 25/64	2.5630	1.0000	M16	5/8	UC 212-36	P 212	4.80
UCP 213-40	2 1/2	65	3	10 1/16	8	2 3/4	1 3/4	1	1 1/16	5 23/32	2.5630	1.0000	M20	3/4	UC 213-40	P 213	5.70
UCP 214-44	2 3/4	70	3 1/4	10 3/16	8 7/32	2 9/16	1 1/2	1	1 1/16	6 9/32	2.9370	1.1890	M20	3/4	UC 214-44	P 214	7.00
UCP 215-47	2 7/8	75	3 5/8	10 7/8	8 11/32	2 11/16	1 1/2	1	1 1/8	6.4173	3.0630	1.3110	M20	3/4	UC 215-47	P 215	7.60
UCP 216-50	3	80	4	11 1/2	9 1/4	3 1/8	1 3/4	1	1 3/8	6.8898	3.2520	1.3110	M20	3/4	UC 216-50	P 216	9.00
UCP 217-52	3 1/4	85	4 1/4	12 1/2	9 21/32	3 5/16	1 3/4	1	1 1/2	7.3622	3.3740	1.3425	M20	3/4	UC 217-52	P 217	11.50
UCP 218-56	3 1/2	90	4 3/4	12 3/4	10 5/16	3 15/32	1 3/4	1 1/4	1 1/2	7.8740	3.7795	1.5630	M22	7/8	UC 218-56	P 218	14.30